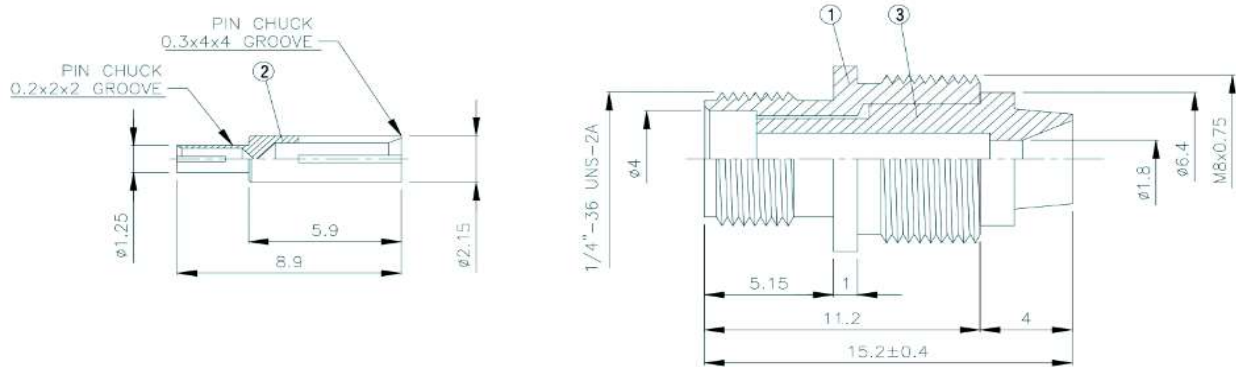


NI-127

FME Kupplung / SMA Kupplung



NO	DESCRIPTION	MATERIAL	Q'TY	FINISH
1	BODY	BRASS	1	NICKEL
2	PIN	BRASS	1	GOLD
3	INSULATION	TEFLON	1	TEFLON